



Digital Music Server



FireBall SEi Series The World's Best Music Managers

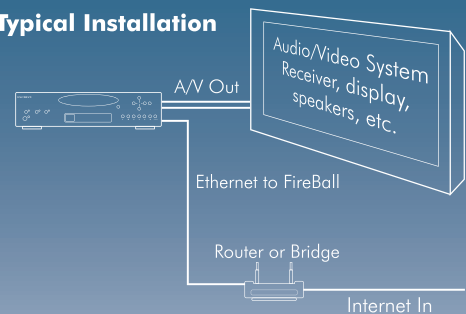
Introducing the new FireBall SEi Series digital audio servers from Escent, the world leader in digital media management systems. The SEi Series is packed with features that make storing, finding, and playing your favorite music as easy as watching the telly. It's a CD Player, CD Recorder, Internet Radio Streamer, and digital audio server all in one high quality digital audio component. It's 160GB / 500GB internal hard drive provides enough storage for thousands of CDs and if you get tired of those, feel free to tune in to any one of the free Internet Radio stations. Just think of all the space you'll save by hiding all those plastic CD cases!

Simply record your CDs to the FireBall's internal hard drive and leave the rest to Escent. The FireBall will automatically connect to the Internet and identify each CD you throw at it, providing you with the artist name, album name, song list, genre, and even cover art for every CD in your collection without ever having to type a single word!

Of course the FireBall SEi Series works great as a single room audio source to replace your CD player, but it doesn't end there. Attach a second SEi and you double the storage capacity with automatic music sharing and provides two independent audio sources or add the free FireBall-PC software and share music stored on your PC with your FireBall. Want to go multi-room? No problem. FireBall is compatible with all of the popular multi-room control systems from Opus, AMX, Crestron, Xantech, RTI, Niles, and more.

Anyway you look at it, the Escent FireBall SEi Series is the easiest and most affordable way to enjoy your music now and in the future.

Typical Installation



KEY FEATURES:

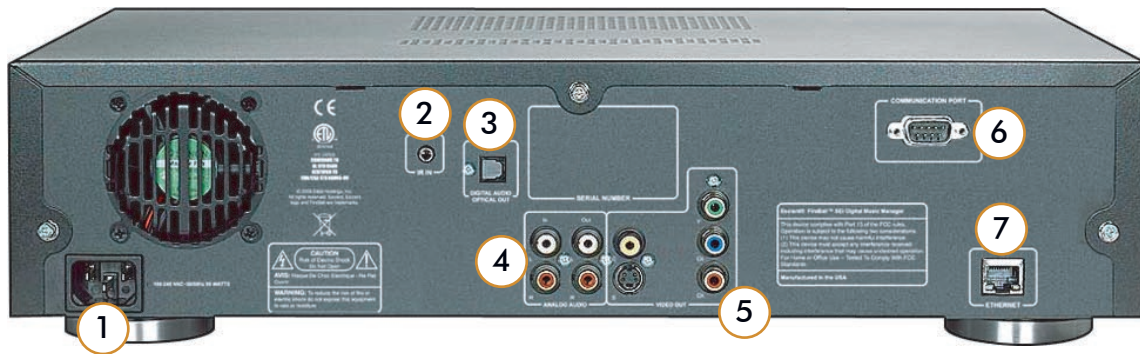
- 160GB or 500GB internal hard drives for storing digital music files
- Built-in CD-RW drive for playing, burning and ripping CDs
- Simple and intuitive on-screen user interface for browsing, selecting, and playing music, Internet Radio stations and for all system configuration and setup functions
- Automatic CD identification using Gracenote CDDb™ with cover art provided by AMG
- PC File Sharing for transferring music files to and from a PC or Mac
- FireBall-PC support for browsing and playing music stored the PC
- Web interface for remote control and music streaming via any standard web browser
- PDA interface for controlling FireBall from any pocket sized web enabled device
- Create custom playlists and genres
- Music playback in repeat and random modes
- Play any WMA or Shoutcast Internet Radio stations
- Create and edit Internet Radio stations
- Record audio to hard drive from any legacy analog or digital audio device (LPs, Cassettes, DAT, MD, etc.)
- Connects to other FireBall Music Servers to share music libraries
- User selectable 16x9 or 4:3 on-screen user interface
- Gapless playback feature for classical and live recordings
- Customizable user interface skins for an exciting new look

HOURS OF AUDIO STORAGE CAPACITY:

HDD Model	*FLAC	MP3 (320)	MP3 (192)	MP3 (160)	MP3 (128)
160 GB	453 h	1078 h	1797 h	2156 h	2695 h
500 GB	1416 h	3373 h	5622 h	6746 h	8432 h

h - Number of hours, approximately one hour per CD

*FLAC is a CD quality variable bit rate encoder so the actual number of hours will vary depending on the music content



BACK PANEL CONNECTIONS:

1. POWER
2. IR IN
3. DIGITAL AUDIO OUT (Optical)
4. ANALOG AUDIO IN and OUT (Stereo)
5. VIDEO OUT (Composite, S-Video, and Component)
6. RS-232 COMMUNICATION PORTS
 - SE-160i - 1 port
 - SE-500i - 2 ports
7. ETHERNET

MINIMUM SYSTEM REQUIREMENTS:

- Video display device
- Internet connection

LANGUAGES SUPPORTED:

- English / French / German / Italian / Spanish

DIMENSIONS:

- 43.8cm W x 28.6cm D x 12.2cm H

SUPPORTED AUDIO FORMATS:

- CD-Audio / MP3 / WMA / FLAC

SUPPORTED VIDEO FORMATS:

- NTSC / Pal M / Pal B,G,H,I / Pal N

INCLUDED ACCESSORIES AND CABLES:

- IR Remote
- A/V cables
- Ethernet cable
- Power cord

OPTIONAL ACCESSORIES:

- Other FireBall models for multi-zone support
- FireBall FP-1
- IR Keyboard for ease of editing



FireBall is compliant with legal guidelines for music recording. CD media that can be used for recording is either CD-Ra or CD-RWa. CD-R and CD-RWs cannot be used. Broadband is recommended for connection. ISP may be used. Please note: some free ISPs don't use standard, consistent methods of internet connectivity and don't open networks to outside users. Call for recommendations.

Escent reserves the right to change product hardware, features and software without notice. Upon any change, materials are updated as quickly as possible, but may not be reflected in documents already distributed. Supported hardware is updated continually. If you wish to interface with hardware that is not listed on this data sheet, please call Escent at 800.372.4368.

©2007 Escent. All rights reserved. Escent and the Escent logo are registered trademarks and FireBall and Physital are trademarks of Escent and D&M Holdings. All other trademarks are property of their respective owners. 02/07



D&M Europe B.V.
+31-40-2507800

P.O. Box 8744
5605 LS Eindhoven
The Netherlands

